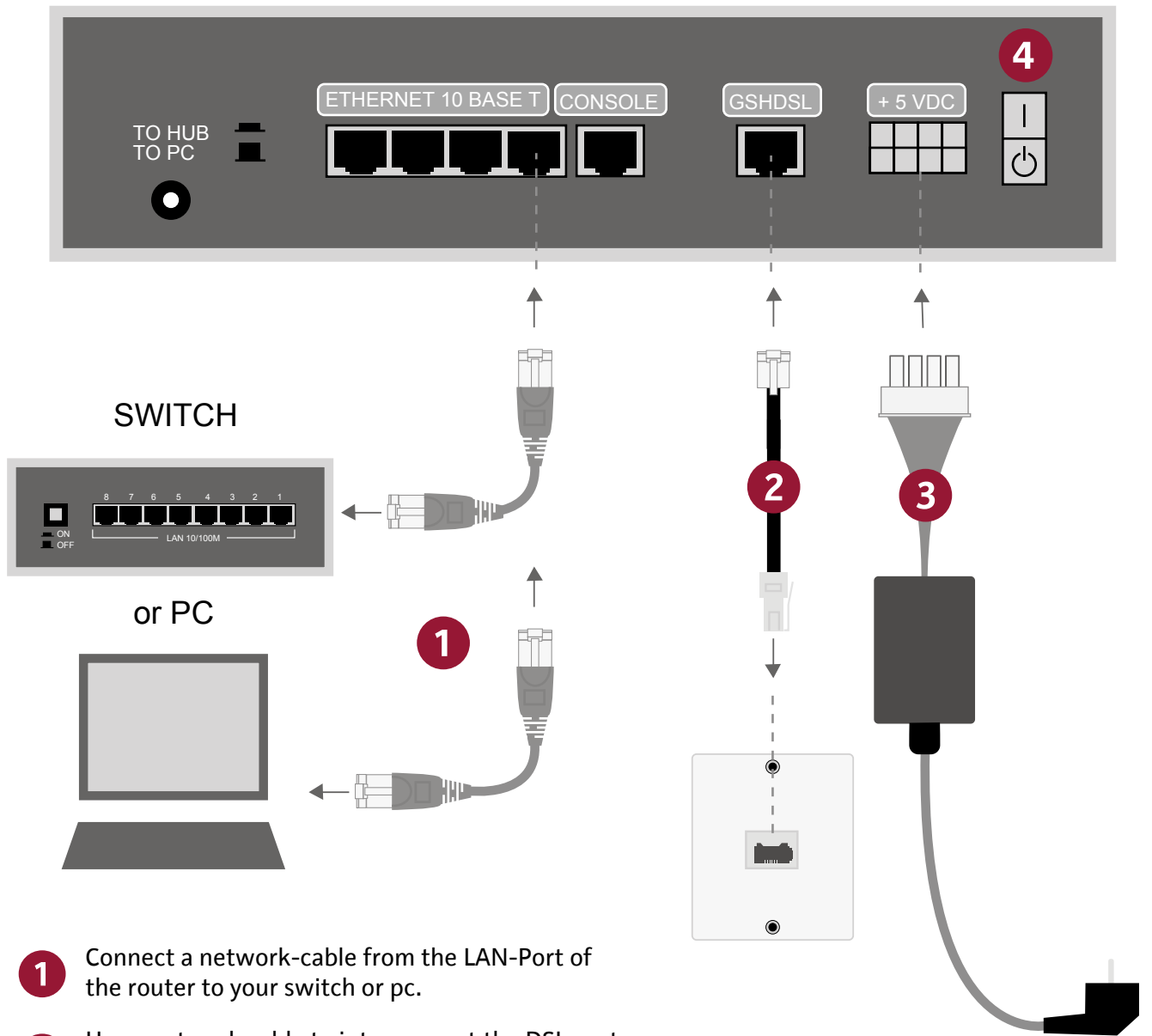


Installation Guide

sDSL-Business United Kingdom



- 1** Connect a network-cable from the LAN-Port of the router to your switch or pc.
- 2** Use a network cable to interconnect the DSL port of the router with the wall outlet.
- 3** Plug the power supply into mains and connect it to the router.
- 4** Locate the power switch and turn it on.

i Call our hotline at +44 207 8514514 to finish up the installation process.